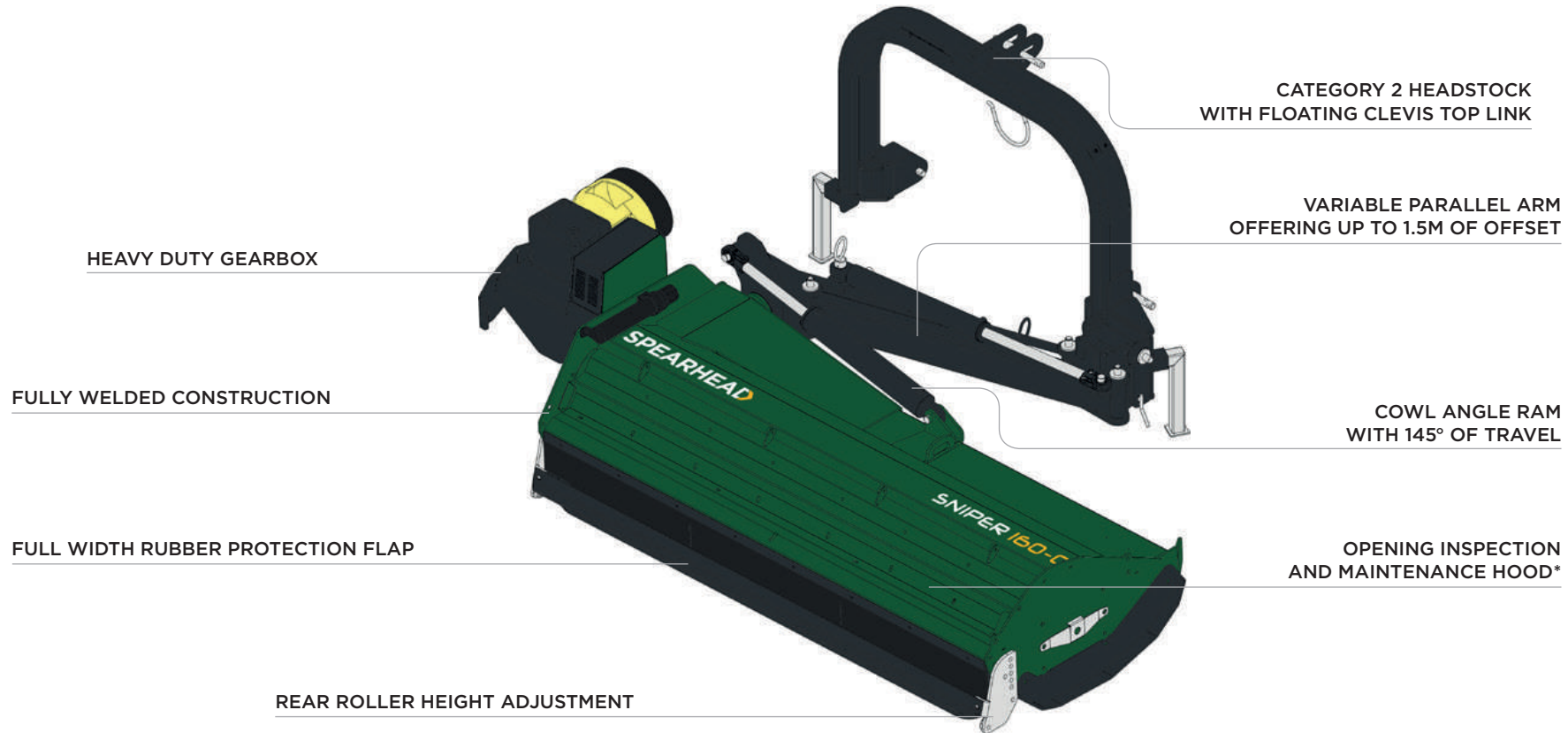


SPEARHEAD

SNIPER OFFSET



SNIPER OFFSET FEATURES



- SNIPER 160-0S
- SNIPER 190-0S
- SNIPER 225-0S

UNIT OPTIONS

TRACTOR HP	PTO SPEED	TRANSPORT WIDTH	3 POINT LINKAGE MOUNTING	CUTTING WIDTH	FLAIL TYPE	NO. OF FLAILS	CUTTING HEIGHT
80hp (60kW)	540/1000rpm	1.55m (5' 2")	✓	1.60m (5' 3")	Heavy-duty hammer flail	20	10mm - 30mm (0.4" - 1.2")
90hp (67kW)	540/1000rpm	1.55m (5' 2")	✓	1.90m (6' 3")	Heavy-duty hammer flail	24	10mm - 30mm (0.4" - 1.2")
100hp (75kW)	540/1000rpm	1.55m (5' 2")	✓	2.25m (7' 5")	Heavy-duty hammer flail	28	10mm - 30mm (0.4" - 1.2")

 BACK TO BACK FLAILS

*For inspection purposes only and not to be opened whilst working. Spearhead Machinery claims no responsibility for accident or incident arising from the opening of the inspection area whilst the machine is in operation.

AIM FOR THE HIGHEST QUALITY FINISH

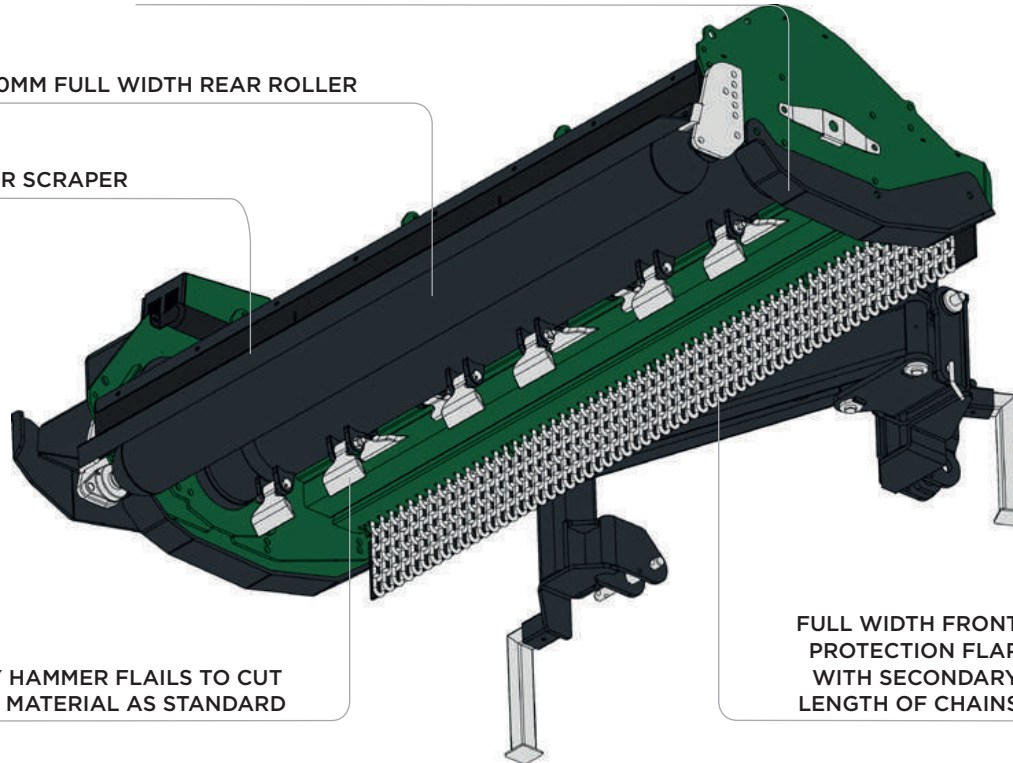


REPLACEABLE BOLT-ON SKIDS

140MM FULL WIDTH REAR ROLLER

REAR ROLLER SCRAPER

HEAVY DUTY HAMMER FLAILS TO CUT UP TO 40MM MATERIAL AS STANDARD



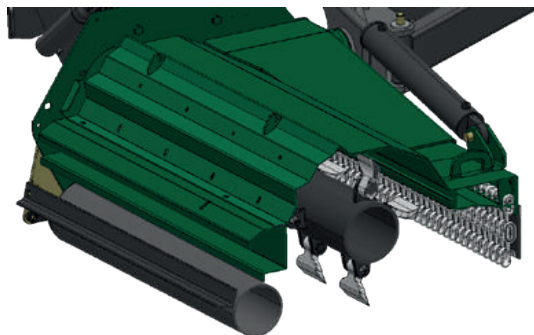
FULL WIDTH FRONT PROTECTION FLAP WITH SECONDARY LENGTH OF CHAINS

The Sniper Offset flail mower is designed for verge and embankment use giving a high quality and consistent cut in material up to 40mm. It is the perfect choice for maintenance of places such as waterways and highways.

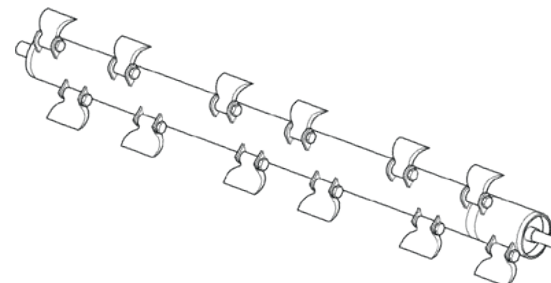
The Sniper Offset range is available in a choice of working widths between 1.6 and 2.3 metres with additional operating flexibility through variable parallel offsetting arms up to a maximum of 1.5m to cater to the working environment. In addition, the machine features variable cowl angling to aid the following of ground contours.

This robust machine features heavy duty hammer flails fitted on an electronically balanced rotor mounted on enclosed, self-aligning bearings. Belt drive gives reliable power transmission and a 140mm full width adjustable, self-cleaning rear roller with scraper and rubber flap will ensure a quality cut and well distributed finish.

CONSTRUCTION



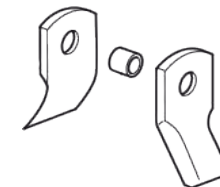
ROTOR DESIGN



FLAIL OPTIONS



HAMMER



BACK-TO-BACK (OPTION)

STANDARD SPECIFICATION	SNIPER 160-OS	SNIPER 190-OS	SNIPER 225-OS
Machine weight	680kg (1499lbs)	710kg (1565lbs)	790kg (1742lbs)
Hitch	Cat 2 with floating clevis top link	Cat 2 with floating clevis top link	Cat 2 with floating clevis top link
Hitch position	Rear mount only	Rear mount only	Rear mount only
Cutting width	1.60m (5' 3")	1.90m (6' 3")	2.25m (7' 5")
Working width	2.18m (7' 2")	2.48m (8' 2")	2.73m (9')
Overall length	1.68m (5' 6")	1.68m (5' 6")	1.68m (5' 6")
Cowl height	480mm (1' 7")	480mm (1' 7")	480mm (1' 7")
Transport width	1.55m (5' 2")	1.55m (5' 2")	1.55m (5' 2")
Transport height	2.19m (7'3")	2.49m (8' 3")	2.79m (9' 2")
Cutting height	10mm – 30mm (0.4" – 1.2")	10mm – 30mm (0.4" – 1.2")	10mm – 30mm (0.4" – 1.2")
Cutting capacity	40mm (1.6")	40mm (1.6")	40mm (1.6")
Maximum offset distance	1.46m (4' 9")	1.46m (4' 9")	1.51m (4' 11")
Wing working angles	90° up/55° down	90° up/55° down	90° up/55° down
Recommended tractor HP	80hp (60kW)	90hp (67kW)	100hp (75kW)
Power take-off speed	540/1000rpm	540/1000rpm	540/1000rpm
Gearbox	Cast iron housing	Cast iron housing	Cast iron housing
Input shaft	1-3/8" Z6	1-3/8" Z6	1-3/8" Z6
Gearbox lubricant	EP80-90W or GL-4 / GL-5 oil	EP80-90W or GL-4 / GL-5 oil	EP80-90W or GL-4 / GL-5 oil
Gearbox oil capacity	1.2 litres (2.1 pints)	1.2 litres (2.1 pints)	1.2 litres (2.1 pints)
Cowl construction	All welded construction	All welded construction	All welded construction
Skid construction	Replaceable bolt-on skid	Replaceable bolt-on skid	Replaceable bolt-on skid
Flail	Heavy-duty hammer flail	Heavy-duty hammer flail	Heavy-duty hammer flail
Flail quantity	20	24	28
Flail tip speed	48 m/s (9448 fpm)	48 m/s (9448 fpm)	48 m/s (9448 fpm)
Rotor diameter	159mm (6.3")	159mm (6.3")	159mm (6.3")
Roller diameter	140mm (5.5")	140mm (5.5")	140mm (5.5")
Number of belts	3	4	5

SPEARHEAD

📍 Station Road, Salford Priors, Evesham, Worcestershire, WR11 8SW, England ☎ +44 (0)1789 491860

✉ enquiries@spearheadmachinery.com 📧 spearheadmachinery.com 🐦 📘 SpearheadWorld

