



Above: The Tow and Fert Multi 4000.

TOW AND FERT BY METALFORM

Save time & money with a Tow and Fert.

No matter the time of year the Tow and Fert range of Liquid Foliar Spray machines offers Farmers versatility and usability with their Nutrient Management programme.

Tow and Fert will dissolve your solid Urea in it's tank, keep Ultra Fine Particle Fertilisers suspended in liquid and even allow you to spray weed spray and the small seeds your pasture needs. Many Biological and organic nutrient products are also suitable to be applied with a Tow and Fert.

Tow and Fert is a versatile machine with *a quick return on investment.*

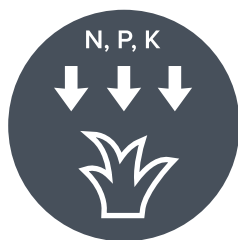
Spraying your fertiliser on your pasture with a Tow and Fert will help you reduce the amount of fertiliser lost into the environment, reducing the amount you require and saving you money.



Above: The Tow and Fert Multi 2800, one of five Tow and Fert models manufactured in Dannevirke, New Zealand.



GROW MORE GRASS



REDUCE INPUTS



SAVE TIME



SAVE MONEY

TOW AND FERT

MULTI 1000



The Tow and Fert Multi 1000 is a trailed unit that is suitable to be towed by either a ute or a tractor.

The Tow and Fert Multi 1000 is a completely stand alone machine and is available in two options.

Option 1) A petrol powered machine perfect for towing behind a Ute or tractor.

Option 2) A hydraulic powered unit for attaching too and driven by your tractor.

With a low centre of gravity, the Multi 1000 is a very versatile machine on all types of farms.

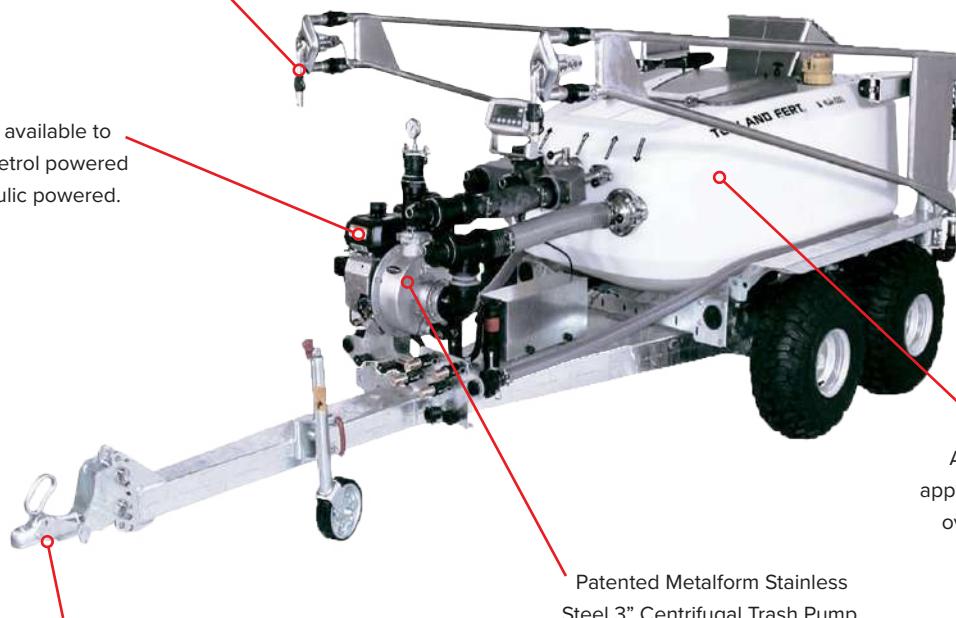
With a 1000 litre capacity this machine can easily dissolve urea in cold water, or hold 1 tonne of dry fine particle product in suspension. The Multi 1000 features our patented re-circulation boom design that delivers up to a 20 metre spread through just 2 large nozzles. This means product cannot settle out in any dead areas found on typical boom sprayers.

Fitted with a 100% Stainless Steel trash pump and a silicon carbide mechanical seal – specifically designed for this application, the Tow and Fert is built to last.

All fittings are removable without a toolbox and can be changed in the field. Depending on application rate, the Multi 1000 has the capacity to cover approx. 8 hectares in one load.

Twin boom spray nozzles with up to 20 metres spray width.

2 options available to agitation, petrol powered and hydraulic powered.



A 1000 litre tank enables application of nutrient products over approx 8-12 hectares.

Patented Metalform Stainless Steel 3" Centrifugal Trash Pump.

Ball-hitch coupling suits most tow vehicles

A flexible solution for farms up to 100 hectares.

Multi 1000 Specifications.

| | |
|----------------------|--|
| TANK VOLUME | 1000 litres (255 gallons) |
| SPRAY WIDTH | Up to 20 metres (65 feet) |
| APPLICATION RATE | Variable from 50 – 500 litres/hectare |
| ATTACHMENT STYLE | Trailed |
| ATTACHMENT VEHICLE | Tractor or 4wd Ute |
| AGITATION POWERED BY | On board Petrol Engine or by Tractor hydraulics |
| AREA PER LOAD | approx. 8-12 hectares (20 – 30 acres) |
| PUMP MODEL | Metalform Stainless 3" Centrifugal Trash Pump |
| PUMP PERFORMANCE | 1200 litres per minute at 0 metres lift. Max lift = 4 metres |
| PUMP POWERED BY | On board Petrol Engine or Tractor |
| DRY WEIGHT | 650kg |
| FULL WEIGHT | up to 2,200kg |
| SIZE | 4.30m (L) x 1.80m (W) x 1.70m (H) |
| TOW HITCH | 1 7/8" or 50mm Coupling, Tractor Tongue |

OPTIONAL EXTRAS *Dual Actuation. Single Nozzle. Horticultural Booms.*



TOW AND FERT

MULTI 2800

Cover 1 ha in
just 3 mins at
12 km/hr

The Tow and Fert Multi 2800 is a versatile machine that will go places others won't.

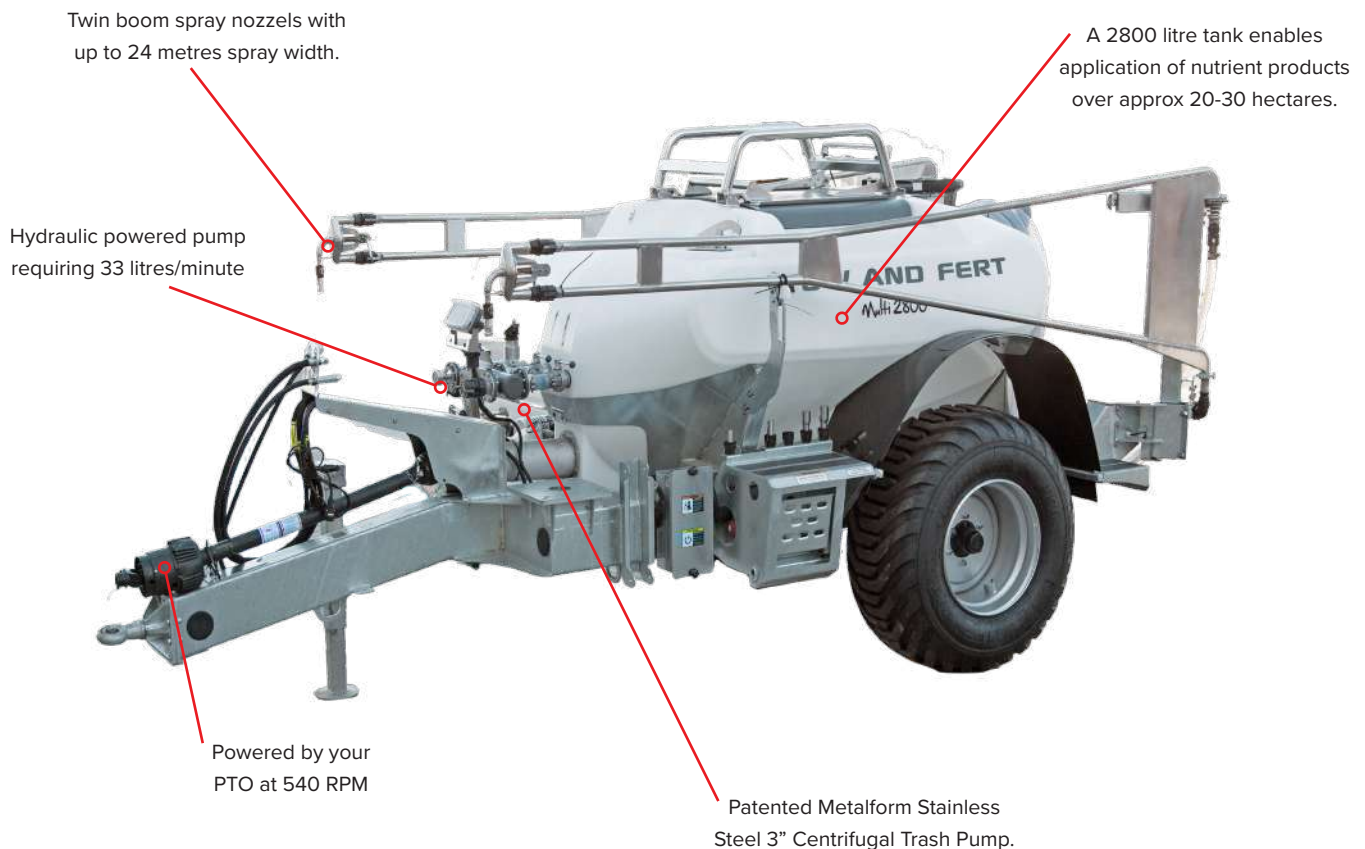
Not too big, not too small.

The Multi 2800 is designed to be towed by a tractor of minimum 110hp.

It uses the PTO at 540rpm for mixing & agitation and hydraulics to run the specifically designed 3" trash pump found on all other Tow and Fert models for spraying. With the patented agitation technology in the tank, you can simply empty 1 tonne of fine particle fertiliser directly into water without any pre-mixing or messy work.

Combined with the optional crane, you can load 3 tonne of fertiliser product into the Tow and Fert in just 15 minutes.

With up to a 24 metre spread, the Multi 2800 can cover 1 hectare in just 3 minutes at 12 km/hr (8 mph). With a capacity of up to 20 hectares per load, this Tow and Fert makes light work of a large job.



The best solution for rolling and mid-sized farms

Multi 2800 Specifications.

| | |
|----------------------|--|
| TANK VOLUME | 2800 litres (740 gallons) |
| SPRAY WIDTH | Up to 24 metres (79 feet) |
| APPLICATION RATE | Variable from 50 – 500 litres/hectare |
| ATTACHMENT STYLE | Trailed |
| ATTACHMENT VEHICLE | 110hp tractor or greater |
| AGITATION POWERED BY | PTO @ 540 RPM |
| AREA PER LOAD | approx. 15-20 hectares (37 – 50 acres) |
| PUMP MODEL | Metalform Stainless 3" Centrifugal Trash Pump |
| PUMP PERFORMANCE | 1200 litres per minute at 0 metres lift. Max lift = 4 metres |
| PUMP POWERED BY | Hydraulics – 33litres/min |
| DRY WEIGHT | 2,100kg (without crane) |
| FULL WEIGHT | up to 6,500kg (depending on mix SG) |
| SIZE | 4.90m (L) x 2.30m (W) x 2.50m (H) |

OPTIONAL EXTRAS *Crane Kit. Dual Actuation. Horticultural Booms.*



TOW AND FERT

MULTI 4000

A load capacity
of up to 40
hectares

The Tow and Fert Multi 4000 is perfect for larger farms requiring a versatile machine for a variety of applications.

The Tow and Fert Multi 4000 is designed to be towed by a tractor of minimum 120hp.

It uses the PTO at 1000rpm for mixing, agitation and hydraulics to run the specifically designed 3" trash pump found on all other Tow and Fert models for spraying.

With the patented agitation technology in the tank, you can simply empty 1 tonne bags of fine particle fertiliser directly into water without any pre-mixing or messy work. Combined with the optional crane, you can load 5 tonne of fertiliser product into the Tow and Fert Multi 4000 in just 15 minutes.

With up to a 24 metre spread, the Multi 4000 can cover 1 hectare in just 3 minutes at 12 km/hr (8 mph). With a capacity of up to 40 hectares per load, this Tow and Fert makes light work of a large job.

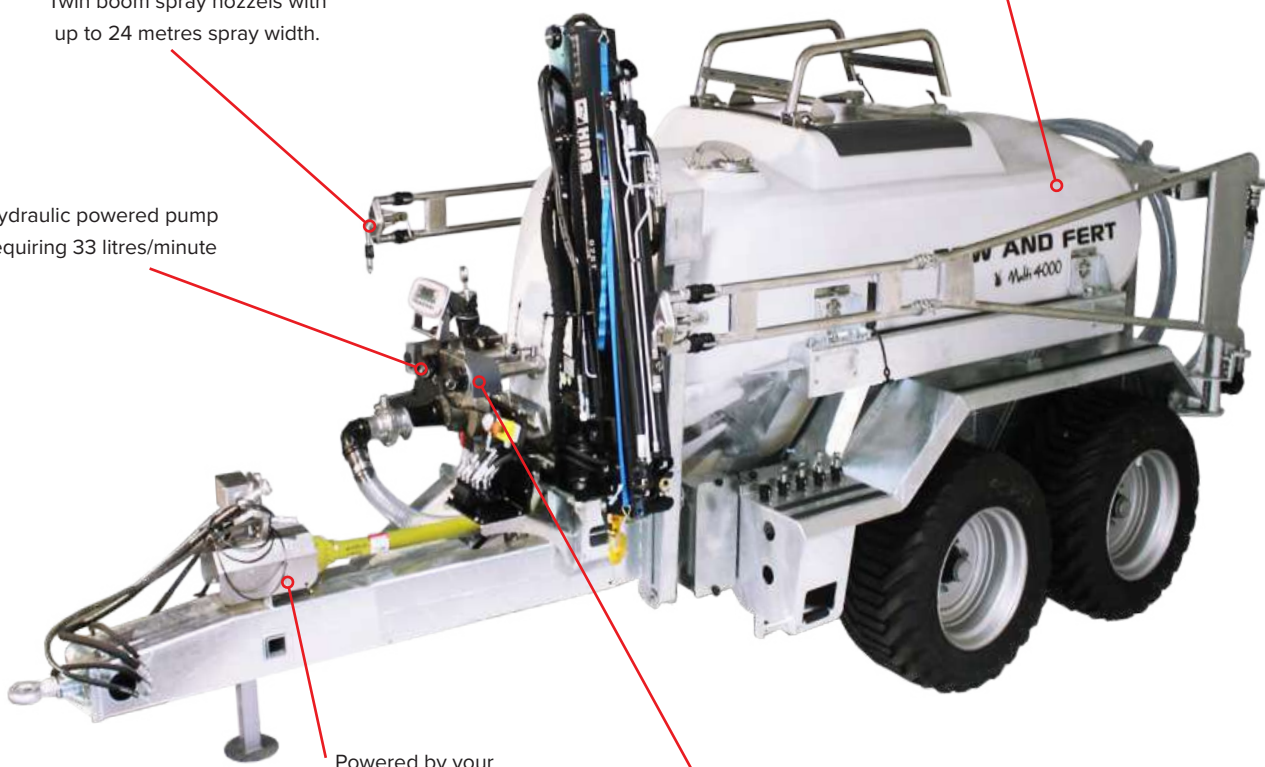
A 4000 litre tank enables application of nutrient products over approx 30-40 hectares.

Twin boom spray nozzels with up to 24 metres spray width.

Hydraulic powered pump requiring 33 litres/minute

Powered by your PTO at 1000 RPM

Patented Metalform Stainless Steel 3" Centrifugal Trash Pump.



The Multi 4000 can cover up to 150 ha per day.

Multi 4000 Specifications.

| | |
|----------------------|--|
| TANK VOLUME | 4000 litres (1060 gallons) |
| SPRAY WIDTH | Up to 24 metres (79 feet) |
| APPLICATION RATE | Variable from 50 – 500 litres/hectare |
| ATTACHMENT STYLE | Trailed |
| ATTACHMENT VEHICLE | 120hp tractor or greater |
| AGITATION POWERED BY | PTO @ 1000 RPM |
| AREA PER LOAD | approx. 30-40 hectares (75 – 100 acres) |
| PUMP MODEL | Metalform Stainless 3" Centrifugal Trash Pump |
| PUMP PERFORMANCE | 1200 litres per minute at 0 metres lift. Max lift = 4 metres |
| PUMP POWERED BY | Hydraulics – 33litres/min |
| DRY WEIGHT | 3,000kg (without crane) |
| FULL WEIGHT | up to 9,500kg (depending on mix SG) |
| SIZE | 5.90m (L) x 2.30m (W) x 2.50m (H) |

OPTIONAL EXTRAS *Crane Kit. Dual Actuation. Horticultural Booms.*

